



---

---

---

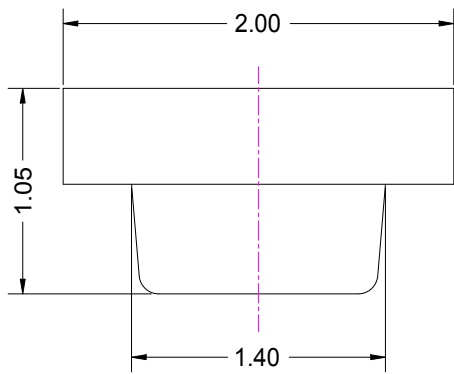
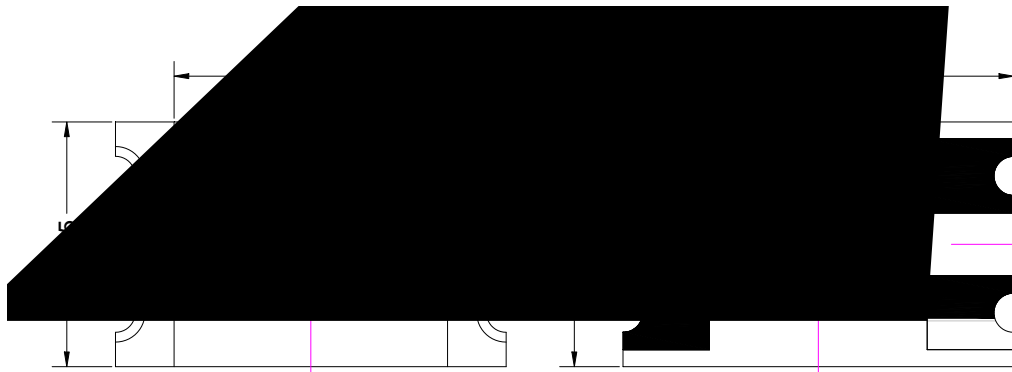
---

---

Wen Li	Fang Yang	Jiang Yang	Fang Wang




Tolerance: 0.25(0.01)





3 Charac eri ic

For ard c rren	If	30	mA
Re er e ol age	Vr	5	V
Po er di ipa ion	Pd	110	mW
Opera ing empera re range	Top	-25 +80	C
S orage empera re range	T g	-30 +80	C
Peak p l ing c rren 1/8 d f=1KH	lfp	125	mA

Wa eleng h a peak emi ion	If=20mA	peak	620	625	630	nm
			515	520	525	
			460	465	470	
Spec ral half band id h	If=20mA			10		
			1.8	2.0	2.4	
For ard ol age	If=20mA	Vf	3.0	3.3	3.6	V
			3.0	3.3	3.6	
			400	550	650	
L mino in en i	If=20mA	I	800	1100	1300	mcd
			200	250	350	
View ing angle a 50% IV	If=10mA		--	120	--	Deg



Referensi	Vr=5V	Ir	--	--	5	A
Ueflife	-	IF=20mA	100000			H

Typical Electrical/Optical Characteristic Curve  
(Ta=25 Unless Otherwise Noted)

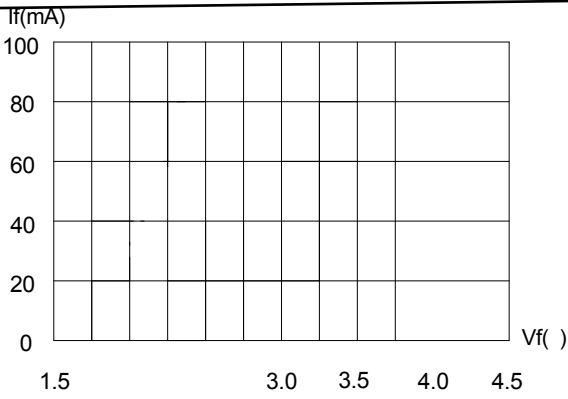


Fig.1 Forward Current vs Forward Voltage

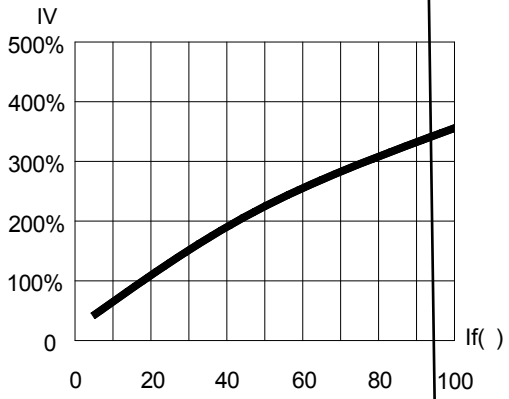


Fig.2 Relative Luminous Intensity vs Forward Voltage

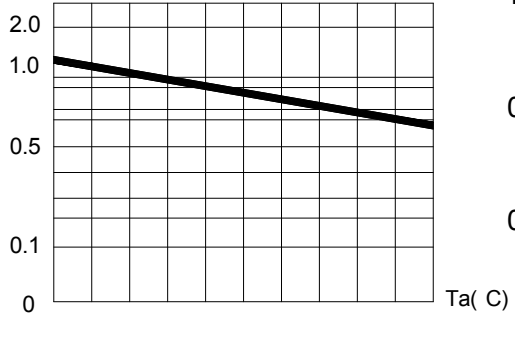


Fig.3 Relative Luminous Intensity vs Ambient Temperature

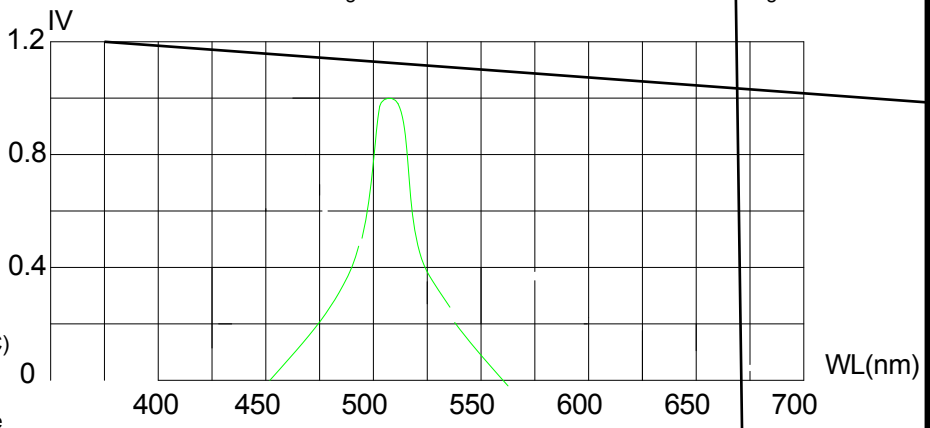


Fig.4 Relative Luminous Intensity vs Wavelength

Directie Characteristic

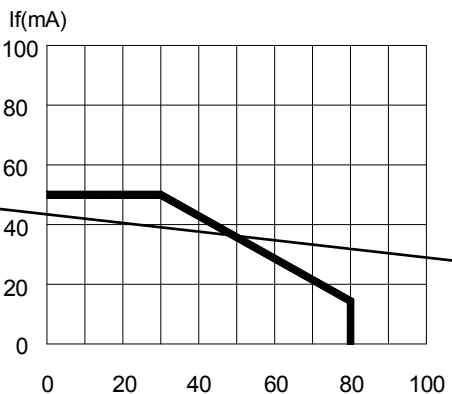
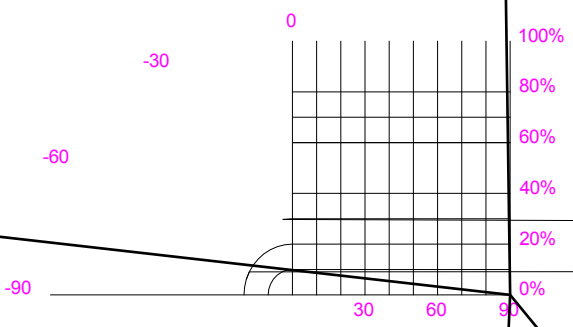
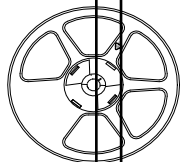
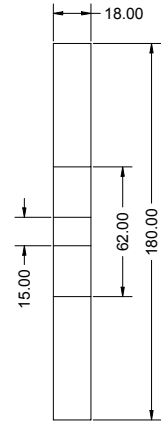
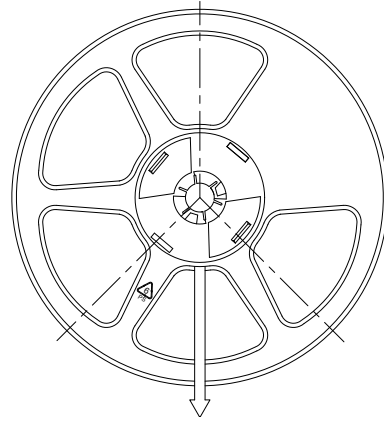
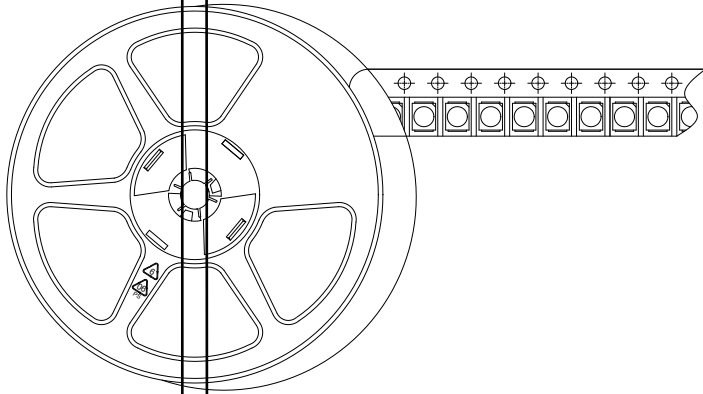


Fig.5 Maximum Forward Current vs Ambient Temperature





/



Diame er: 180.0mm  
Wid h: 18mm  
SMD0805R 4000pc /Reel  
An i-S a ic Shielding  
Black Reel

An i-S a ic Shielding  
1 Reel / Bag (T=0.1mm)

10 Bag / 1 Inner Bo  
SMD0805R  
40,000pc /Inner Bo