



---

---

---

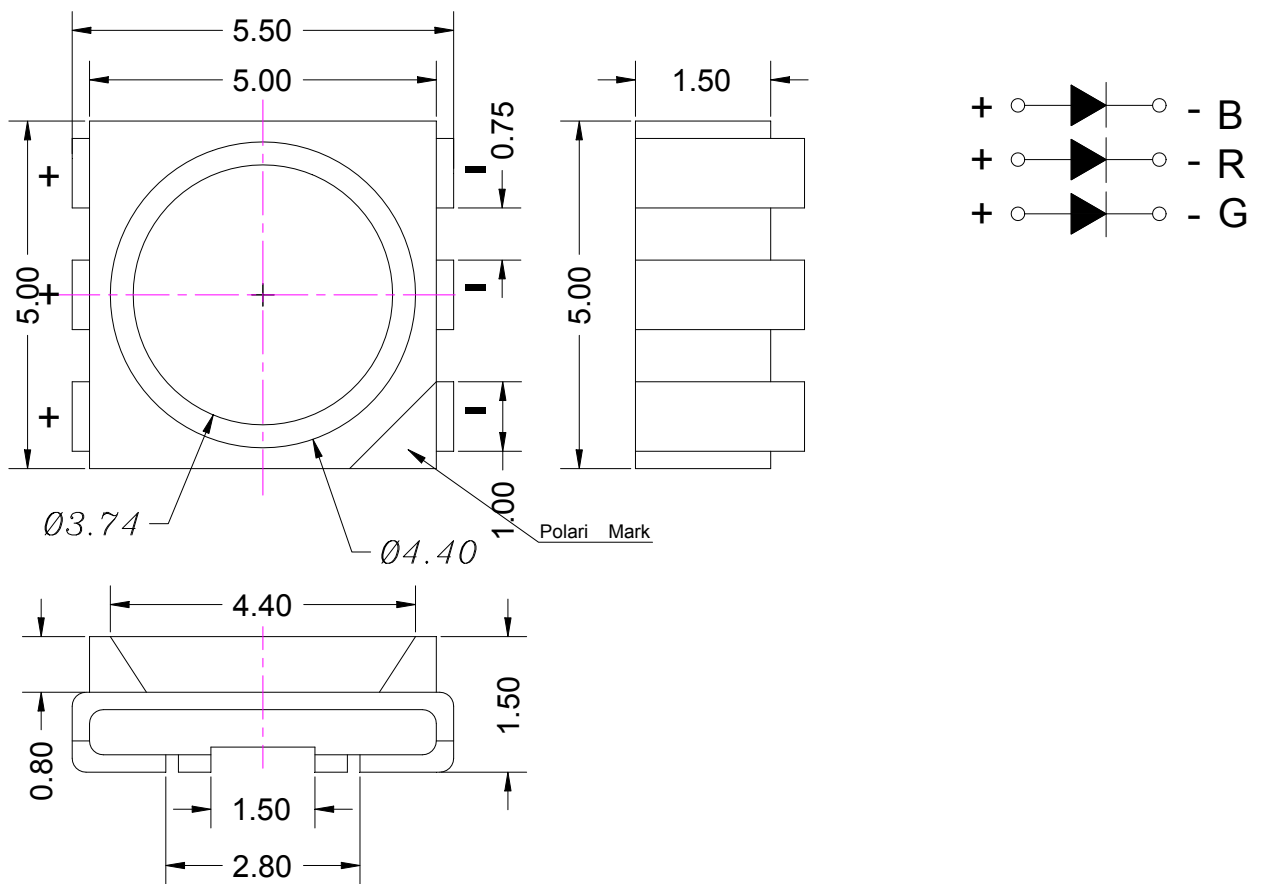
---

---

Wen Li	Fang Yang	Jiang Yang	Fang Wang




Tolerance: 0.25(0.01)



Uni mm

Color RGB

Len -color Wa er clear

Emi ing Ma erial InGaN

Dra ing b oli a ion



3

Characteristic

Forward current	If	30			mA	
Reverse voltage	Vr	5			V	
Power dissipation	Pd	110			mW	
Operating temperature range	Top	-25 +80			C	
Storage temperature range	Tg	-30 +80			C	
Peak pulsed current 1/8 d f=1KH	lfp	125			mA	
Wavelength peak emission (R)	If=20mA	peak	620	625	630	nm
Wavelength peak emission (G)			515	520	525	
Wavelength peak emission (B)			460	465	470	
Spectral half bandwidth	If=20mA			10		
Forward voltage (R)	If=20mA	Vf	1.8	2.0	2.4	V
Forward voltage (G)			3.0	3.3	3.6	
Forward voltage (B)			3.0	3.3	3.6	
Minimum current (R)	If=20mA	I	800	1000	1200	mcd
Minimum current (G)			3000	3500	4000	
Minimum current (B)			400	500	600	
Viewing angle at 50% IV	If=10mA		--	120	--	Deg
Reverse current	Vr=5V	Ir	--	--	5	A



U ef I life	-	IF=20mA	100000			H
-------------	---	---------	--------	--	--	---



ical Elec  
(Ta=25 Unle Oher

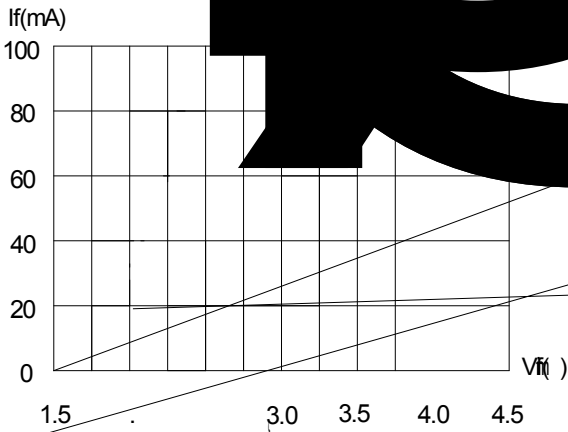


Fig.1 For ard C ren For ard Vol age)

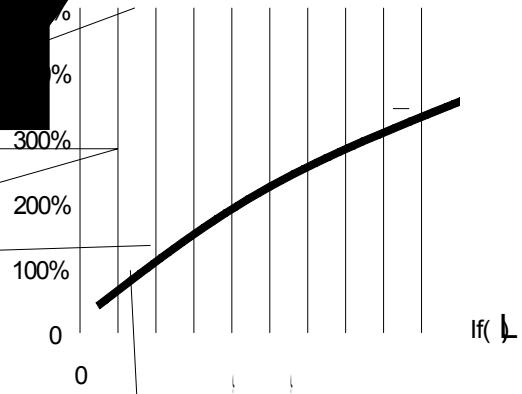


Fig.2 For ard C ren For ard Vol age)



# Electronics

Open the file

and

Open the file

Open the file

Open the file

Open the file

Open the file

Open the file

Open the file

i Iron Soldering: The Iron (max 30W) end temperature is 350°C. Soldering time 3 seconds, soldering position is minimum 2mm from board.

ii Dip Soldering: Max temperature is 260°C, time 5s, the position is 2mm from board.

i Bracket must be bent only 2mm from colloid.

ii Bracket mould must be finished before or professional.

iii Bracket mould must be finished before soldering.

i Bracket mould holder are held in between the gap of lead and the circuit board.

i. It should be placed in the order of the device in the long polarity. The device can be close to the heat component, working condition can be limited.

ii. It should not assemble LED when heat.

iii. When decide to assemble in hole, and hole distance of the line base

Suggesting gap and position

# Electronics

